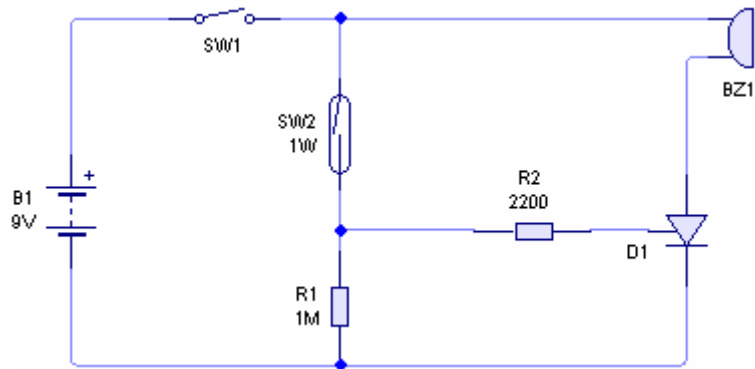
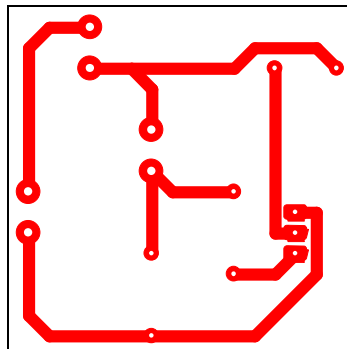


Burglar Alarm Circuit

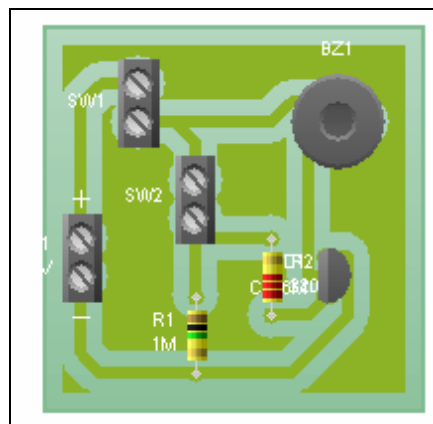


Alarm Circuit

- Power Supply 9V Battery
- SW1 – Toggle switch
- SW2 – Reed Switch
- R1 – 1M Resistor
- R2 – 2k2 Resistor
- Buzzer
- Thysistor



PCB Layout



PCB with Electronic Components