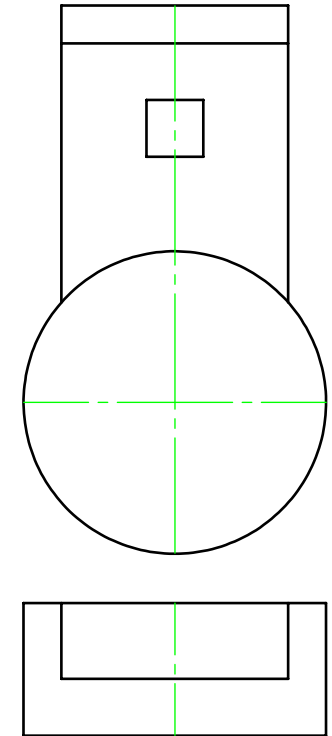
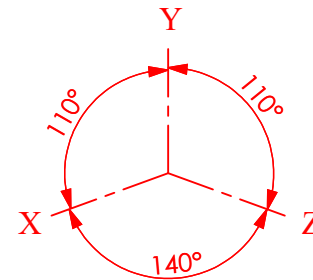
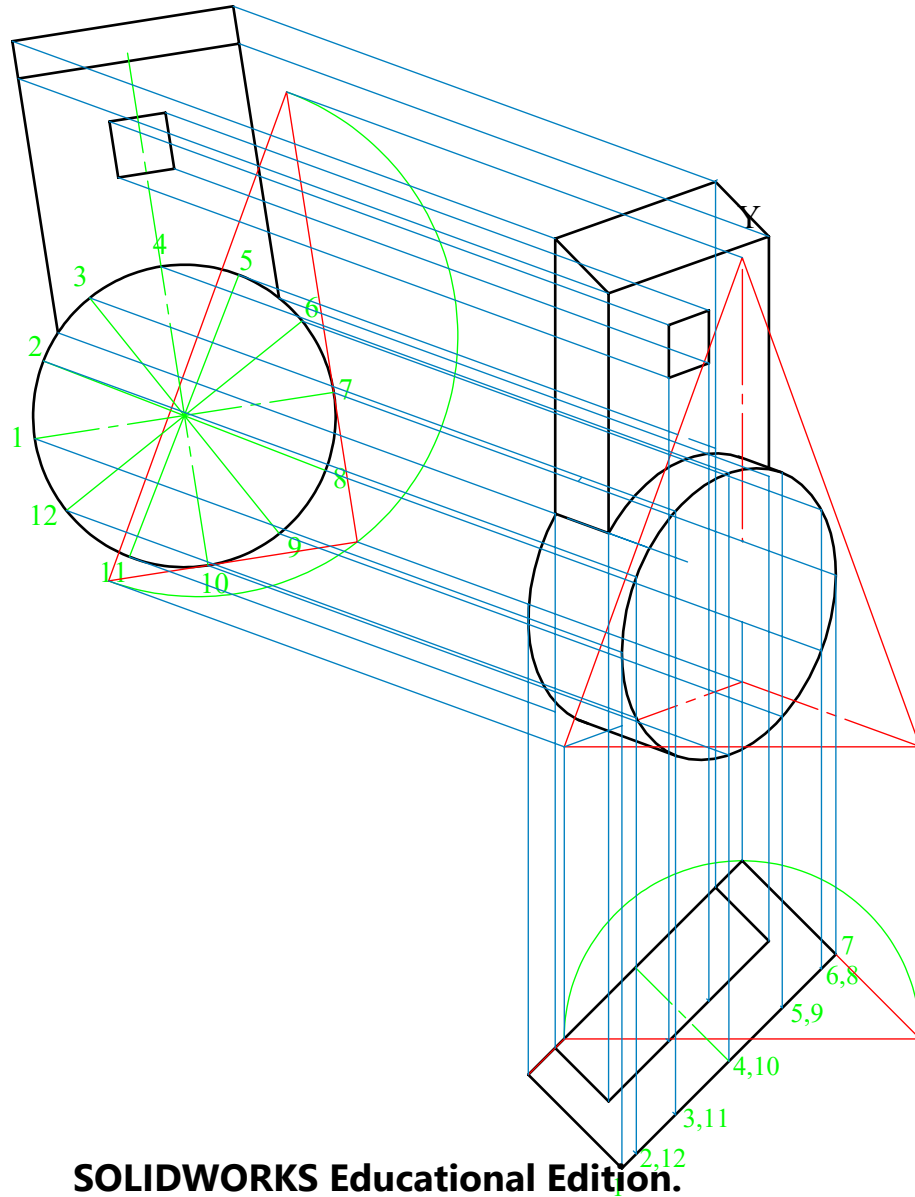




A photograph of an **apartment intercom** is shown with the **elevation, plan and end elevation** given.

Draw the dimetric projection of the **intercom** having axes inclined as shown.



**SOLIDWORKS Educational Edition.
For Instructional Use Only.**



TECHNOLOGY
SUBJECTS
SUPPORT
SERVICE

DESIGN & COMMUNICATION GRAPHICS

TITLE:

WORKSHEET 6

DRAWN BY: YOUR NAME HERE

SIZE
A4

UNLESS OTHERWISE SPECIFIED ALL
DIMENSIONS ARE IN mm

SCALE: 1:2

Date: 11/10/2016

SHEET 1 OF 1

