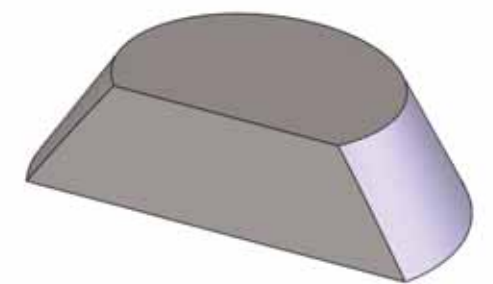
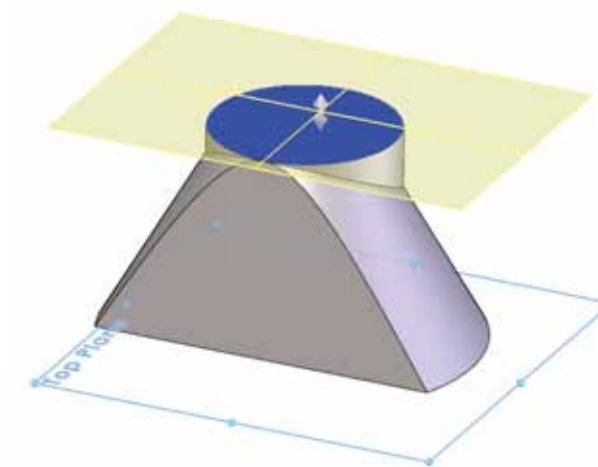
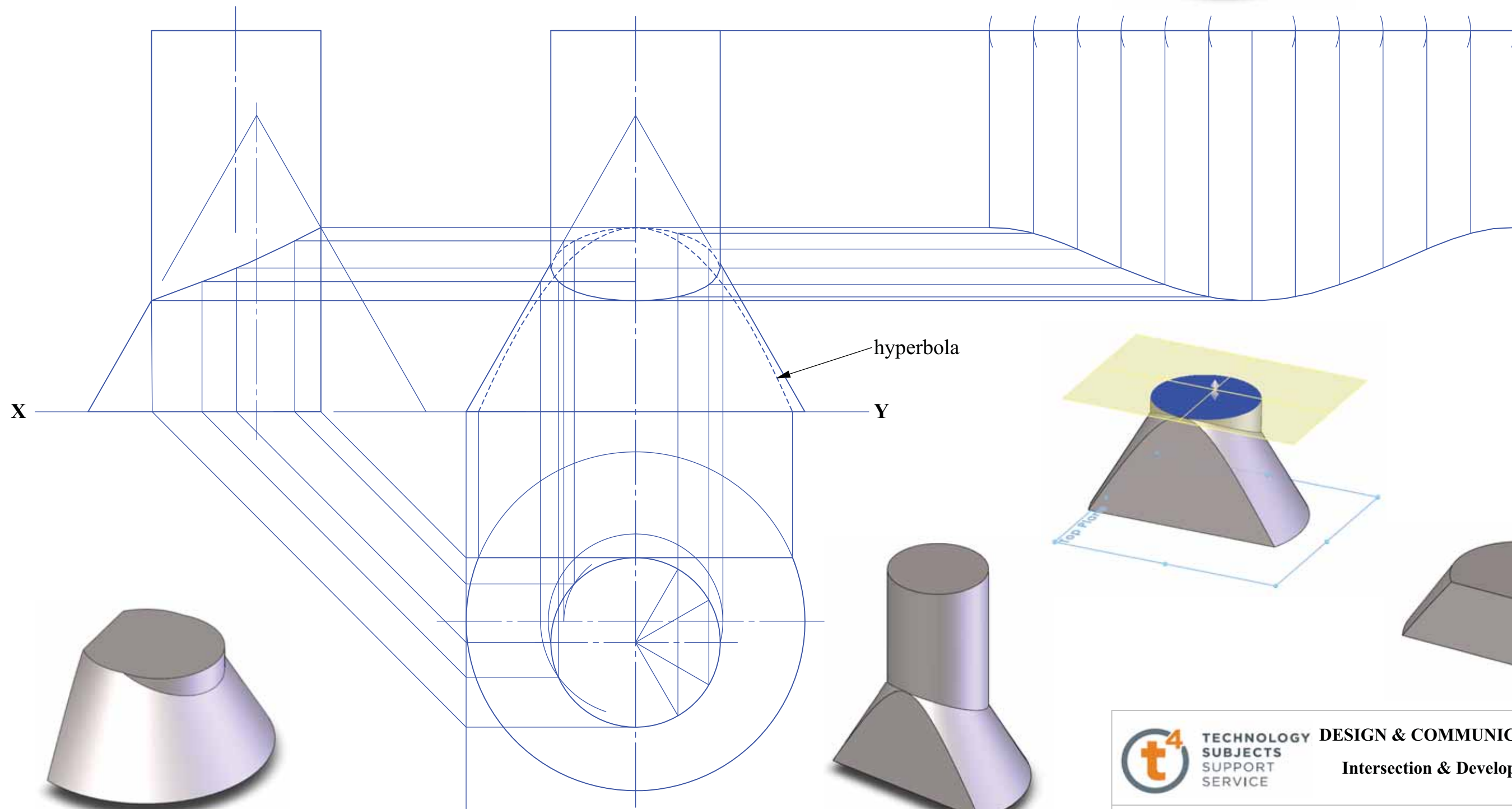
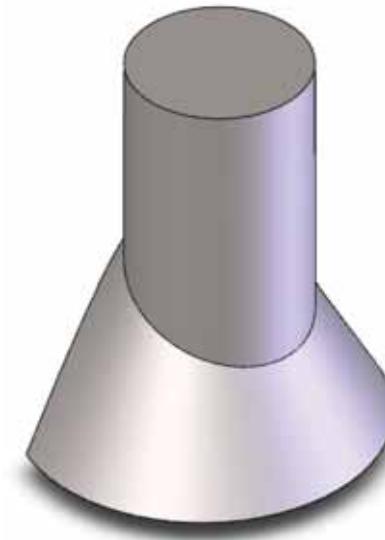


The 3D graphic on the right shows an extractor fan hood. It is composed of a right circular cone which has been shaped as shown(see below right) and a right cylinder which intersect each other.

The drawing below shows the plan and incomplete elevation and end view of the extractor fan hood.

- (a) Complete the elevation and end view.
- (b) Draw the complete surface development of the curved cylindrical portion of the object.
(The seam edge should be the shortest possible line).



NAME: _____ DATE: _____